



R Series | 4.0-small 5.0t (Diesel,LPG)
R series Internal Combustion Forklift

EP EQUIPMENT CO.,LTD.
www.ep-ep.com



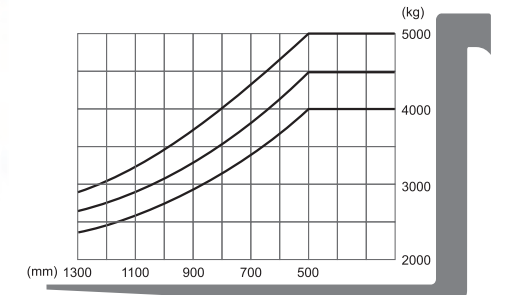
Options

- 2.0-5.0m duplex mast
- 2.5-5.0m full free duplex mast
- 4.3-6.5m triplex mast
- Special carriage and backrest
- Other dimension forks
- Dual drive wheel with fender
- Solid tyre
- Non-marking tyre(white\green)
- Cabin
- Heater and air condition
- Fire extinguisher
- Semi-suspension seat or full-suspension seat
- Dual air cleaner or special air cleaner rear working light
- Customer painting
- Rear working light

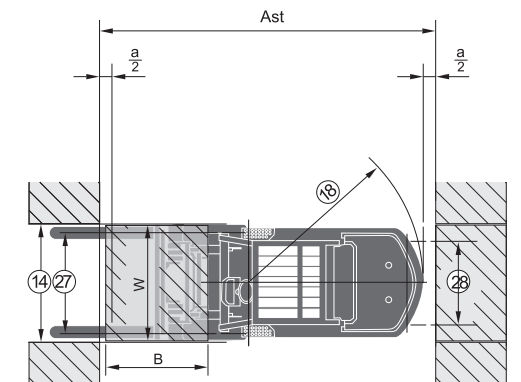
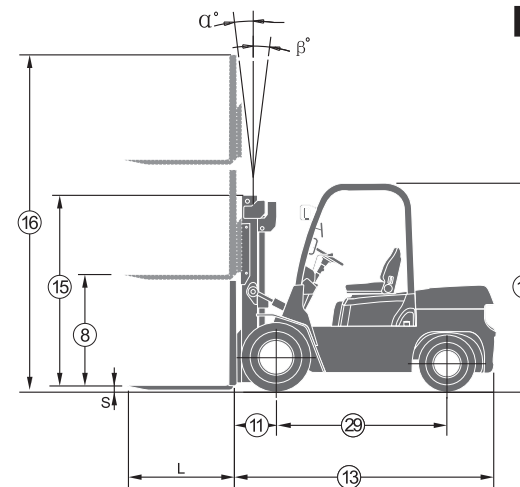
- Auxiliary hydraulic valve modules
- High-mounted exhaust system
- Middle-mounted exhaust system
- Spark arrester
- Purified exhaust system
- Radiator screen
- Sideshifter
- Integrated sideshifter
- Other attachment



LOAD CHART



DIMENSIONS



$a = 200 \text{ mm safety clearance}$
 $AST = a + ⑪ + ⑱ + \sqrt{W^2 + (B/2)^2}$

R series 4.0-5.0t diesel&lpg forklift specification:

General	1 Manufacturer		CPCD40		CPQYD40		CPCD45		CPQYD45		CPCD50		CPQYD50		
	2 Basic model		RW35		RG24		RW35		RG24		RXW35		RXW57		
Characteristics & Dimensions	3 Type		Diesel		LPG		Diesel		LPG		Diesel		LPG		
	4 Power type		kg		mm		mm		mm		mm		mm		
	5 Rated capacity		mm		mm		mm		mm		mm		mm		
	6 Load center		mm		mm		mm		mm		mm		mm		
	7 Lifting height		mm		mm		mm		mm		mm		mm		
	8 Free lifting height		mm		mm		mm		mm		mm		mm		
	9 Fork size		L x W x T		mm		mm		mm		mm		mm		
	10 Mast tilt range		Deg		Deg		Deg		Deg		Deg		Deg		
	11 Fork overhang (wheel center to fork face)		mm		mm		mm		mm		mm		mm		
	12 Rear overhang		mm		mm		mm		mm		mm		mm		
	13 Overall Dimensions		length (to fork face)		mm		mm		mm		mm		mm		
	14 Overall width		mm		mm		mm		mm		mm		mm		
	15 Mast lowered height		mm		mm		mm		mm		mm		mm		
	16 Mast extended height		mm		mm		mm		mm		mm		mm		
	17 Overhead guard height		mm		mm		mm		mm		mm		mm		
	Performance	18 Turning radius(outside)		mm		mm		mm		mm		mm		mm	
		19 Min. right angle stacking aisle width (Add load length and clearance)		mm		mm		mm		mm		mm		mm	
20 Travel (No load)		km/h		0-24		0-26		0-24		0-26		0-26			
21 speed		Lifting (Full load)		mm/s		430		440		460		430			
22 Lowering (Full load)		mm/s		500		500		500		500		500			
23 Max. Drawbar pull		Full load		N		35000		37200		39300		35000			
24 Max. Gradeability		Full load		%		20		20		20		20			
25 Tyre		Front		mm		8.25-15-14PR		8.25-15-14PR		300-15-14PR		300-15-14PR			
26 Tyre		Rear		mm		7.00-12-12PR		7.00-12-12PR		7.00-12-12PR		7.00-12-12PR			
27 Tread		Front		mm		1160		1190		1190		1190			
28 Tread		Rear		mm		1130		1130		1130		1130			
29 Wheelbase		mm		mm		2000		2000		2100		2100			
30 Ground clearance		lowest		mm		170		170		170		170			
31 wheelbase center		mm		mm		230		230		230		230			
32 Self weight		kg		kg		6300		6300		6500		6500			
Power & Transmission		33 Weight distribution		Full load (front/rear)		kg		9000/1300		9000/1300		9625/1375		9000/1300	
		34 No load (front/rear)		kg		kg		2800/3500		2800/3500		2820/3680		2800/3500	
	35 Battery		Voltage/Capacity(20HR)		V/Ah		2X12/60		2X12/60		2X12/60		2X12/60		
	36 Model		1104		4108		GM4.3L		1104		4108		GM4.3L		
	37 Manufacturer		PERKINS		LUOTUO		GM		PERKINS		LUOTUO		GM		
	38 Rated output/r.p.m.		kw		56/2200		57/2200		74/2300		56/2200		57/2200		
	39 Rated torque/r.p.m.		N.m		265/1700		285/1400		301/1600		265/1700		285/1400		
	40 Engine		No. of cylinder		4		4		4		4		4		
	41 Bore x Stroke		mm		105x127		108x125		101.6x88.39		105x127		108x125		
	42 Emission STD		Stage 3		Stage 3		Stage 3		Stage 3		Stage 3		Stage 3		
	43 Displacement		cc		4410		4580		4294		4410		4580		
	44 Fuel tank capacity		L		80		80		80		80		80		
	45 Manufacture		CHINA		CHINA		CHINA		CHINA		CHINA		CHINA		
	46 Transmissions		Type		Powershift		Powershift		Powershift		Powershift		Powershift		
	47 Stage		FWD/RVS		2/1		2/1		2/1		2/1		2/1		
	48 Operating pressure for attachment		Mpa		18		18		18		18		18		

Note: *with suspension seat or cabin
 1. Special lifting height available (2-stage mast: 2.5m, 2.7m, 3.0m, 3.3m, 3.6m, 4m, 4.5m, 3-stage mast: 4.3m, 4.5m, 4.8m, 5m, 5.5m, 6m)
 2. Attachment available
 3. The specification in the table are for standard models only. For further information please contact us
 4. Specification are subject to change without notice

4.0 ~ 5.0t R series mast: (pneumatic)

Type	Model	Max. Fork height	Overall height								Free lift				Front Overhang		Tilt range		Capacity					
			Lowered		Extended				Without backrest		With backrest		Without backrest		With backrest		FWD	BWD	Single tire			Double tire		
			4 / 4.5t	5t	4 / 4.5t	5t	4 / 4.5t	5t	4 / 4.5t	5t	4 / 4.5t	5t	4 / 4.5t	5t	Deg	Deg			4t	4.5t	5t	4t	4.5t	5t
Wide view mast	R45 / 50M250	2500	1995	1995	3330	3330	3670	3865	160	160	160	160	550	555	6	12	4000	4500	5000	4000	4500	5000		
	R45 / 50M270	2700	2095	2095	3530	3530	3870	4065	160	160	160	160	550	555	6	12	4000	4500	5000	4000	4500	5000		
	R45 / 50M300	3000	2245	2245	3830	3830	4170	4365	160	160	160	160	550	555	6	12	4000	4500	5000	4000	4500	5000		
	R45 / 50M330	3300	2395	2395	4130	4130	4470	4665	160	160	160	160	550	555	6	12	4000	4500	5000	4000	4500	5000		
	R45 / 50M350	3500	2495	2495	4330	4330	4670	4865	160	160	160	160	550	555	6	12	4000	4500	5000	4000	4500	5000		
	R45 / 50M360	3600	2545	2545	4430	4430	4770	4965	160	160	160	160	550	555	6	12	4000	4500	5000	4000	4500	5000		
	R45 / 50M400	4000	2795	2795	4830	4830	5170	5365	160	160	160	160	550	555	6	12	3800	4250	4750	4000	4500	5000		
	R45 / 50M430	4300	2960	2960	5130	5130	5470	5665	160	160	160	160	550	555	6	6	3600	4000	4500	3800	4250	4750		
	R45 / 50M450	4500	3070	3070	5330	5330	5670	5865	160	160	160	160	550	555	6	6	3400	3800	4250	3600	4050	4500		
	R45 / 50M480	4800	3235	3235	5630	5630	5970	6165	160	160	160	160	550	555	6	6	3000	3350	3750	3200	3600	4000		
R45 / 50M500	5000	3345	3345	5830	5830	6170	6365	160	160	160	160	550	555	6	6	2800	3150	3500	3000	3400	3750			
Wide view full free 2-stage mast	R45 / 50U250	2500	1976	1976	3365	3365	3670	3865	1114	1114	809	610	557	562	6	12	4000	4500	5000	4000	4500	5000		
	R45 / 50U275	2750	2100	2100	3615	3615	3920	4115	1238	1238	933	735	557	562	6	12	4000	4500	5000	4000	4500	5000		
	R45 / 50U300	3000	2226	2226	3865	3865	4170	4365	1364	1364	1055	860	557	562	6	12	4000	4500	5000	4000	4500	5000		
	R45 / 50U330	3300	2376	2376	4165	4165	4470	4665	1514	1514	1205	1010	557	562	6	12	4000	4500	5000	4000	4500	5000		
Wide view full free 3-stage mast	R45 / 50U360	3600	2526	2526	4465	4465	4770	4965	1664	1664	1359	1160	557	562	6	12	4000	4500	5000	4000	4500	5000		
	R45 / 50N400	4000	2080	2080	4850	4860	5170	5365	1229	1222	912	715	603	615	6	12	3600	4000	4500	3800	4250	4750		
	R45 / 50N430	4300	2180	2180	5155	5160	5470	5665	1329	1322	1012	815	603	615	6	6	3400	3800	4250	3600	4050	4500		
	R45 / 50N450	4500	2248	2248	5365	5370	5685	5880	1395	1390	1080	883	603	615	6	6	3200	3600	4000	3400	3850	4250		
	R45 / 50N480	4800	2340	2340	5650	5660	5970	6170	1489	1482	1172	975	603	615	6	6	3000	3350	3750	3200	3600	4000		
	R45 / 50N500	5000	2410	2410	5855	5860	6170	6370	1559	1552	1242	1045	603	615	6	6	2800	3150	3500	3000	3400	3750		
R45 / 50N550	5500	2575	2575	6355	6360	6670	6870	1724	1718	1408	1210	603	615	3	6	2250	2550	2850	2800	3100	3350			
R45 / 50N600	6000	2790	2790	6865	6870	7180	7380	1939	1932	1622	1425	603	615	3	6	1700	1950	2200	2600	2800	2950			

With sideshifter minus 200Kg, with integral sideshifter minus 100Kg.



5.0-7.0t (Diesel, LPG)
R series Internal Combustion Forklift

EP EQUIPMENT CO.,LTD.
 www.ep-ep.com