

EX50



KOMATSU[®]



The Forklift With Proven Ability.[™]

PNEUMATIC TIRE FORKLIFTS

22,000 – 35,000 LBS. CAPACITY | DIESEL

EPA TIER 3 / EU STAGE IIIA EMISSION COMPLIANT

Environment & Economy are the buzz words for the next generation. The EX50 Series is our answer for it.

Komatsu put its technologies and know-how into the design and construction of a new engine, which is proof of our careful consideration of the next step. With its four new, key, cutting edge technologies, the new engine provides reliable power with better fuel efficiency, maximum productivity, and lowered operating costs, while maintaining a high level of environmental friendliness.

Engine Technologies

Key Technology-1

Electronic Control System

Key Technology-2

Heavy duty HPCR System

Key Technology-3

New Combustion System

Key Technology-4

Air to Air Charge Air Cooling System

22,000 lbs./25,000 lbs./30,000 lbs./33,000 lbs./35,000 lbs.
10t / 11.5t / 13.5t / 15t / 16t



Diesel Pneumatic-Tire Trucks
EPA Tier 3/EU Stage IIIA Emission Compliant

EX50
S E R I E S

Born of unsurpassed technologies
Shaped from a deep thoughtfulness
for the environment.

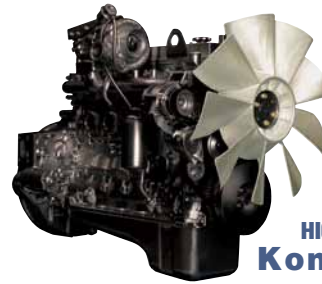


ENVIRONMENTAL SAFETY

The new engine adopts the latest technologies that support both reliable power and environmental friendliness

EPA Tier 3 / Euro IIIA compliant Komatsu SAA6D107E-1 engine adopts Komatsu's latest engine technologies, and dramatically reduces NOx and PM in the exhaust. Each system also successfully interacts for better fuel efficiency and lower noise levels. Reliable fuel filters keep systems running at peak performance and protects components. The engine offers full performance and power even in the most severe conditions.

- **Rated Output : 122kW @ 2,200rpm**
- **Maximum Torque : 575Nm @ 1,600rpm**



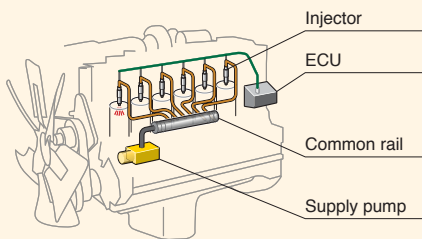
**HIGH POWER CLEAN DIESEL ENGINE
Komatsu SAA6D107E-1**

Key Technology-1: Electronic Control System

The center control unit quickly processes signals from various sensors on the vehicle in order to produce maximum power in any condition, eliminating possible loss of engine performance.

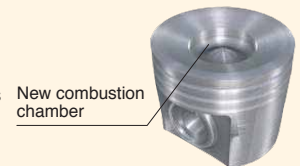
Key Technology-2: Heavy Duty HPCR System

High pressure compressed fuel is stored in an accumulator chamber called a common rail. The fuel is injected into each cylinder at the proper time by an ECU (Electronic Controlled Unit). This HPCR (High Pressure Common Rail) system optimizes fuel burn and greatly reduces fuel consumption.



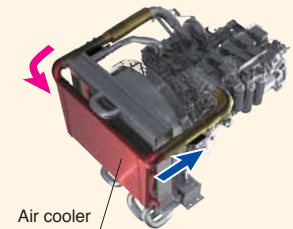
Key Technology-3: New Combustion System

The unique shape of the combustion chamber at the top surface of each piston facilitates complete fuel burning by optimizing conditions, timing, and amounts of fuel injection, which helps reduce NOx and PM in the exhaust, while also reducing fuel consumption.



Key Technology-4: Air to Air Charge Air Cooling System

This technologically advanced system cools high temperature air blown by the turbocharger and supplies it to the cylinders to maximize the cooling effect. As a result, the system maximizes combustion efficiency and emission performance, delivering high output while reducing NOx and overall fuel consumption.

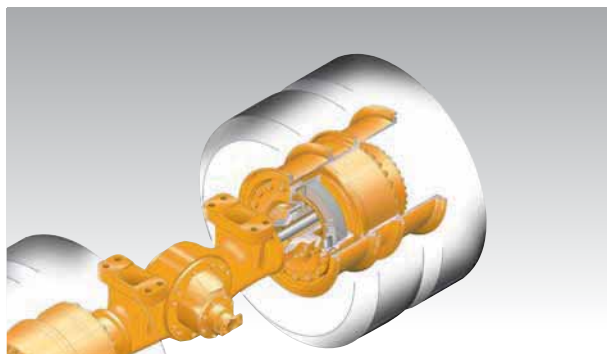


SECURITY

Wet disc brake system for increased durability in even the toughest work environments.

The EX50 features a standard wet disc brake system that offers improved durability and performance over a traditional drum brake system. Due to its dustproof and waterproof enclosed design, the wet disc brake system can deliver high durability, resulting in reduced maintenance costs over time*. Regardless of your working conditions, the wet disc brake system can have a positive impact on overall operating costs.

*Oil replacement and regular inspections are required.



KOPS Plus system automatically stops travel, lift, lower and tilt functions when the operator leaves the seat for longer than 3 seconds.

The EX50 features KOPS Plus to protect people and equipment if the operator leaves the seat. If the seat is vacant for more than 3 seconds, KOPS Plus automatically locks out all lift, lower, tilt, and travel functions. The operator must return to the seat in order to unlock the system. A flashing yellow light on the dash display alerts the operator when the KOPS Plus system is activated. KOPS Plus meets the requirements of ISO3691-1, a worldwide safety standard.

*This system is not intended to forcibly brake the vehicle while it is moving or engaged in drive.



Excellent visibility, operator comforts, and ease of operation; All designed to deliver greater operator productivity and efficiency.

MANEUVERABILITY

High performance top-end travel speed is achieved through the use of electronically controlled forward/reverse lever and responsive transmission

A best-in-class combination of the powerful engine and responsive powershift transmission delivers excellent maneuverability and a high performance combination of travel speed, acceleration, lift speed, and gradeability.

- **Traveling Speed (Unloaded) : 19.9mph/32km/h**
- **Gradability (FD 100) : 38% (21 degrees)**

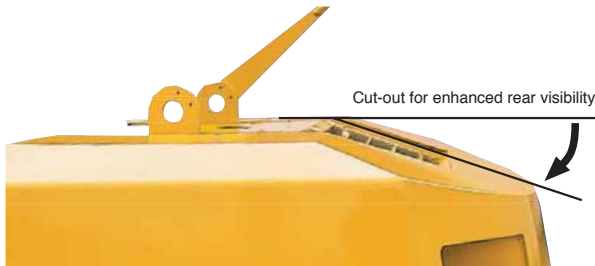
Best-in-class lift speeds ensure fast and efficient cycle times

Fast and efficient lift speeds are achieved in both loaded and unloaded conditions through optimization of a new hydraulic load sensing valve circuit system and large capacity, oil-level efficient tandem hydraulic pump system.

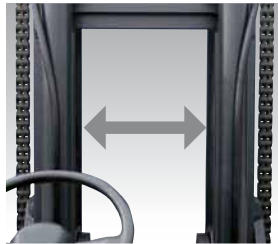
- **Lifting Speed (Loaded/FD100) : 92.5fpm/470mm/s**

COMFORT

Operational visibility is greatly enhanced through improvements to the shape of the top of the counterweight and through an increased distance between the inner mast rails



Rearward visibility has been greatly improved through a downward angle to the top edge of the counterweight. Also forward visibility has been improved by repositioning the lift chains to the outside of the rails, allowing the inner visibility window to be expanded to 25.3" (642 mm).



- **Inner width of the mast (FD100/2200 PD) : 25.3"/642mm**

Komatsu's Hydraulic Suspension Cab (HSC) mounts provide the ultimate in operator comfort even during long work shifts.

Komatsu's HSC mount system raises the operator's cab from the vehicle chassis with a hydraulic suspension system that absorbs most operational vibration, thereby helping to improve operator comfort and reduce fatigue.



Low noise design and complete sound insulation reduces noise levels heard at the operator's ear

- **Noise at low idle : 72dB (A)**

New operator's suspension seat

A newly designed suspension seat with retractable seat belt features a high support structure that securely holds and balances the operator's body, thereby reducing fatigue even during long work periods.



Efficient designs and ergonomic functionalities greatly increase operational comforts

- 1 Easy-to-read, integrated meter panel increases operator awareness
- 2 Combination headlamp switch and directional signal (Auto-return)
- 3 Tilt steering wheel for increased operator comfort





SERVICEABILITY

Large capacity fuel tank reduces the need for frequent fill-ups and easy-to-see inspection windows show fuel and oil levels

Longer run times are achieved through increased fuel efficiency and the large capacity fuel tank. Easy-to-see inspection windows mounted outside of both fuel and oil tanks to allow quick and easy inspection of available fuel and oil levels.



For oil

For fuel

● Fuel Tank (FD100 - FD115) : **68.7 USgal [260 L]**
(FD135 - FD150E - FD180E) : **74.0 USgal [280 L]**

An air cleaner with automatic dust ejector increases filter life

A unique air cleaner automatically ejects air-borne dust to reduce clogging of the filter element, thus improving suction efficiency and improving filter element life.

A reserve tank for engine coolant keeps the system at a constant level and eliminates the need for frequent refills

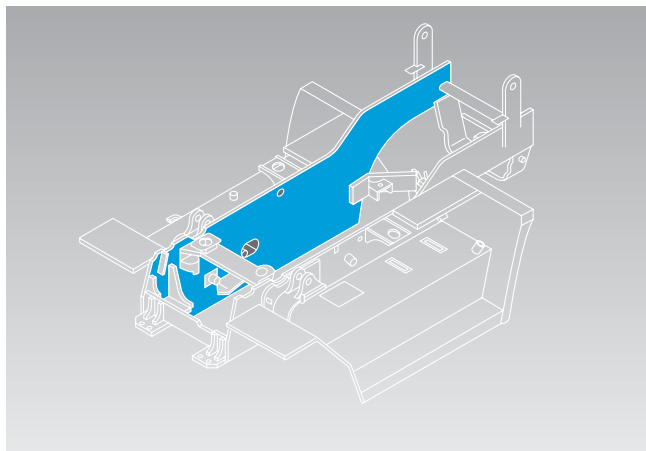


High serviceability: non-bolted floor plates and side covers and quick-open/close engine hood

STRENGTH

A highly rigid frame enhances truck durability and load handling performance

Use of a main frame structure that consists of a single piece of thick plate steel provides high rigidity against twisting caused by static steering, turning, or uneven surfaces, resulting in excellent truck durability and load-handling performance.



Rigid, high strength mast ensures reliability

Rolled steel outer mast rails and designs consistent with our heritage in heavy construction and mining equipment, ensure high strength, durability, and a high level of reliability.



Wide Variety of Attachments & Options to Meet Application and Environmental Needs

Options

Cold climate protection
 Rotating light
 Rear work light
 Speedometer
 Load indicator
 Special length forks
 Air cleaner with pre-cleaner
 Spark arrester
 Rear under mirror
 Steel cabin
 Air conditioner
 Heater
 Swivel seat
 Locking fuel cap
 Rearview mirrors
 Backup alarm
 Amber strobe light
 Tilt cylinder boots
 Steer cylinder boots
 Solid pneumatic tires

Steel Cabin



Provides a comfortable and quiet working environment with good visibility for the operator

- Front and rear corners of glass for enhanced visibility
- Quick-release door lock lever
- Ceiling mounted air conditioner for expanded working space within the cabin
- A high mount cabin can be selected for a higher view of the load
- Attachable wipers for front, rear, and roof glass (two wipers for the front glass, and window washers for front and rear glasses)
- Built-in high-capacity alternator
- Cabin lighting

Attachments

Side shifter
 Side shifting fork positioner (Independent move)
 Fork positioner (Independent move)
 Fork positioner with side shift function (Simultaneous move)
 Manipulator*
 Ram*
 Crane*
 Pole carrier forks*
 Furnace changer*
 Tire handler*

*Available upon request

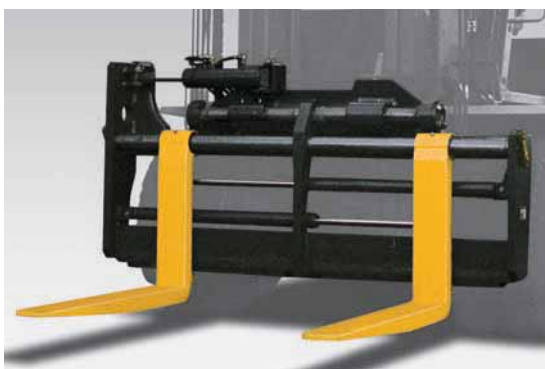
Tire Handler



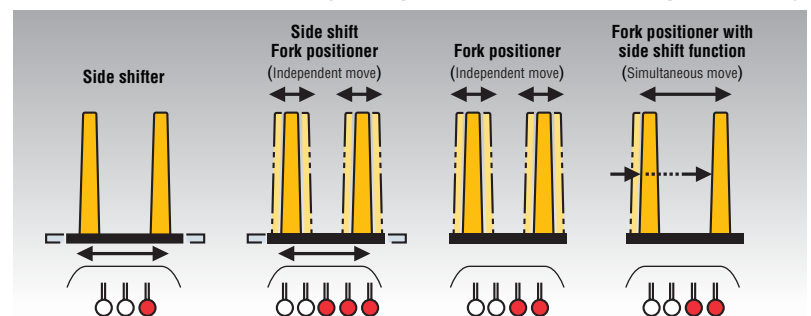
Komatsu offers an exclusive design that provides reliability and versatility

This attachment holds and rotates a huge construction machinery tire, making tire exchange faster, easier, and smoother.

Side shifter · Fork positioner



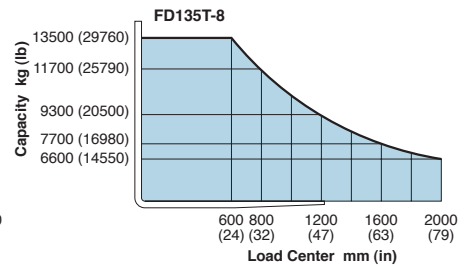
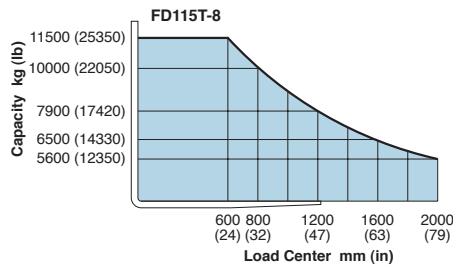
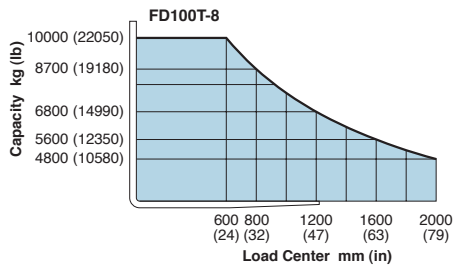
Enhances forward visibility and provides smooth fork positioning



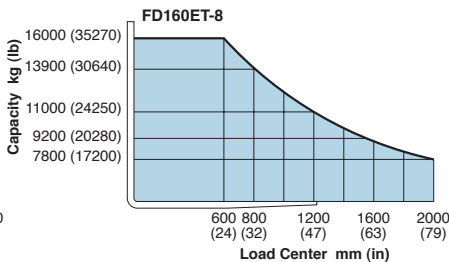
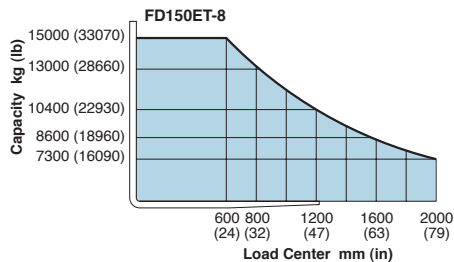
CAPACITY CHART

Maximum Load and Overall Height of Mast by Lifting Height (Double mast, load center: 600mm)

Model	FD100T-8				FD115T-8				FD135T-8			
2-stage view mast												
Maximum fork height mm (in)	Overall height mm (in) Lowered/Extended	Load capacity* kg (lb)	Free lift mm (in)	Back tilt restriction	Overall height mm (in) Lowered/Extended	Load capacity* kg (lb)	Free lift mm (in)	Back tilt restriction	Overall height mm (in) Lowered/Extended	Load capacity* kg (lb)	Free lift mm (in)	Back tilt restriction
3000 (118)	2890/4400 (113.8/173.2)	10000 (22,000)	0 (0)	12°	3160/4670 (124.4/183.9)	11500 (25,000)	0 (0)	12°	3170/4680 (124.8/184.3)	13500 (30,000)	0 (0)	12°
3300 (130)	3040/4700 (119.7/185.0)	10000 (22,000)			3310/4970 (130.3/195.7)	11500 (25,000)			3320/4980 (130.7/196.1)	13500 (30,000)		
3500 (138)	3140/4900 (123.6/192.9)	10000 (22,000)			3410/5170 (134.3/203.5)	11500 (25,000)			3420/5180 (134.6/203.9)	13500 (30,000)		
3700 (146)	3240/5100 (127.6/200.8)	10000 (22,000)			3510/5370 (138.2/211.4)	11500 (25,000)			3520/5380 (138.6/211.8)	13500 (30,000)		
4000 (157)	3390/5400 (133.5/212.6)	10000 (22,000)			3760/5770 (148.0/219.3)	11500 (25,000)			3770/5780 (148.4/227.6)	13500 (30,000)		
4500 (177)	3740/6000 (147.2/236.2)	10000 (22,000)			4010/6270 (157.9/246.8)	11500 (25,000)			4020/6280 (158.3/247.2)	13500 (30,000)		
5000 (197)	4140/6650 (163.0/261.8)	10000 (22,000)			4460/6970 (175.6/274.4)	11500 (25,000)			4470/6980 (176.0/274.8)	13500 (30,000)		
5500 (217)	4440/7200 (174.8/283.5)	9000 (19,800)			4710/7470 (185.4/294.1)	10000 (22,000)			4720/7480 (185.8/294.5)	12000 (26,500)		
6000 (236)	4690/7700 (184.6/303.1)	8000 (17,600)			4960/7970 (195.3/313.8)	9000 (19,800)			4970/7980 (195.7/314.2)	11000 (24,300)		



Model	FD150ET-8				FD160ET-8			
2-stage view mast								
Maximum fork height mm (in)	Overall height mm (in) Lowered/Extended	Load capacity* kg (lb)	Free lift mm (in)	Back tilt restriction	Overall height mm (in) Lowered/Extended	Load capacity* kg (lb)	Free lift mm (in)	Back tilt restriction
3000 (118)	3270/4780 (128.7/188.2)	15000 (33,000)	0 (0)	12°	3290/4800 (129.5/189.0)	16000 (35,300)	0 (0)	12°
3300 (130)	3420/5080 (134.6/200.0)	15000 (33,000)			3440/5100 (135.4/200.8)	16000 (35,300)		
3500 (138)	3520/5280 (138.6/207.9)	15000 (33,000)			3540/5300 (139.4/208.7)	16000 (35,300)		
3700 (146)	3620/5480 (142.5/215.7)	15000 (33,000)			3640/5500 (143.3/216.5)	16000 (35,300)		
4000 (157)	3770/5780 (148.4/227.6)	15000 (33,000)			3790/5800 (149.2/228.3)	16000 (35,300)		
4500 (177)	4020/6280 (158.3/247.2)	15000 (33,000)			4040/6300 (159.1/248.0)	16000 (35,300)		
5000 (197)	4470/6980 (176.0/274.8)	15000 (33,000)			4490/7000 (176.8/275.6)	16000 (35,300)		
5500 (217)	4720/7480 (185.3/294.5)	13500 (29,800)			4740/7500 (186.6/295.3)	14500 (32,000)		
6000 (236)	4970/7980 (195.7/314.2)	12000 (26,500)			4990/8000 (196.5/315.0)	13000 (28,700)		



Standard mast is shown in broad frame.
*Load capacity at 600mm (24in.) load center.

Capacities shown are for trucks equipped with 2-stage view mast up through 5000mm (197in.) maximum fork.

Performance specifications are affected by the conditions of the vehicle and how it is equipped as well as the nature and conditions of the operating area. If these specifications are critical, please discuss the proposed application with your distributor or dealer.

Specifications

				FD100T-8	FD115T-8	FD135T-8		
Characteristics	1.2	Model		Manufacturer's Designations	FD100T-8	FD115T-8	FD135T-8	
	1.3	Power Type		Electric, Diesel, Gasoline, LPG, Cable	Diesel	Diesel	Diesel	
	1.4	Operation Type		Pedestrian, Drive Standing, Sitting, Order Picking	Sitting	Sitting	Sitting	
	1.5	Rated Capacity	Q	Rated Capacity	kg (lb)	10000 (22,000)	11500 (25,000)	13500 (30,000)
	1.6	Load Center	c	Rated Load Center	mm (in)	600 (24)	600 (24)	600 (24)
	1.8	Load Distance	x	Front Axle Center to Fork Face	mm (in)	695 (27.4)	715 (28.1)	740 (29.1)
1.9	Wheelbase	y		mm (in)	2800 (110.2)	2800 (110.2)	3100 (122.0)	
Weight	2.1	Service Weight			kg (lb)	12980 (28,620)	14360 (31,660)	15480 (34,130)
	2.2	Axle Loading	Loaded	Front	kg (lb)	20860 (45,990)	23490 (51,790)	26450 (58,310)
	2.2.1			Rear	kg (lb)	2120 (4,670)	2370 (5,220)	2530 (5,580)
	2.3		Unloaded	Front	kg (lb)	6230 (13,730)	6590 (14,530)	7110 (15,670)
	2.3.2			Rear	kg (lb)	6750 (14,880)	7770 (17,130)	8370 (18,450)
Tires	3.1	Tire Type			Pneumatic	Pneumatic	Pneumatic	
	3.2	Tire Size	Front		9.00-20-14PR (I)	10.00-20-14PR (I)	11.00-20-14PR (I)	
	3.3		Rear		9.00-20-14PR (I)	10.00-20-14PR (I)	11.00-20-14PR (I)	
	3.5	Number of Wheel	Front/Rear (x=driven)		4x/2	4x/2	4x/2	
	3.6	Tread, Front	b10		mm (in)	1700 (66.9)	1700 (66.9)	1770 (69.7)
	3.7	Tread, Rear	b11		mm (in)	1900 (74.8)	1890 (74.4)	1890 (74.4)
	Dimensions	4.1	Tilting Angle	α/β	Forward/Backward	degree	6/12	6/12
4.2		Mast Height, Lowered	h1	with Std. Mast	mm (in)	2890 (113.8)	3160 (124.4)	3170 (124.8)
4.3		Std. Free Lift	h2	with Std. Mast from Ground	mm (in)	0 (0.0)	0 (0.0)	0 (0.0)
4.4		Std. Lift Height	h3	with Std. Mast from Ground	mm (in)	3000 (118)	3000 (118)	3000 (118)
4.5		Mast Height, Extended	h4	with Std. Mast	mm (in)	4400 (173.2)	4670 (183.9)	4680 (184.3)
4.7		Height, Overhead Guard	h6		mm (in)	2780 (109.4)	2800 (110.2)	2810 (110.6)
4.19		Length, with Std. Forks	l1		mm (in)	5465 (215.2)	5505 (216.7)	5860 (230.7)
4.20		Length, to fork face	l2		mm (in)	4245 (167.1)	4285 (168.7)	4640 (182.7)
4.21		Width, at tire	b1		mm (in)	2280 (89.8)	2310 (90.9)	2410 (94.9)
4.22		Forks	s/e/l	Thickness/Width/Length	mm (in)	75x170x1220 (3.0x6.7x48.0)	75x185x1220 (3.0x7.3x48.0)	80x185x1220 (3.1x7.3x48.0)
4.23		Fork Carriage Class	ISO 2328, Type A/B/no			Pin Mount	Pin Mount	Pin Mount
4.24		Width, Fork Carriage	b3		mm (in)	2140 (84.3)	2140 (84.3)	2200 (86.6)
4.31		Ground Clearance	m1	Under the Mast	mm (in)	250 (9.8)	250 (9.8)	260 (10.2)
4.32			m2	at the center of wheelbase	mm (in)	325 (12.8)	345 (13.6)	350 (13.8)
4.33		Right Angle Stacking Aisle	Ast		mm (in)	6115 (240.7)	6145 (241.9)	6460 (254.3)
4.35		Turning Radius	Wa		mm (in)	4000 (157.5)	4010 (157.9)	4300 (169.3)
Performance		5.1	Travel Speed (FWD)	Loaded, 1st/2nd/3rd		km/h (mph)	8.5/18/28 (5.3/11.2/17.4)	8.5/19/28 (5.3/11.8/17.4)
	5.1.1	Unloaded, 1st/2nd/3rd		km/h (mph)	9/20/32 (5.6/12.4/19.9)	9/21/32 (5.6/13.0/19.9)	9.5/21/32 (5.9/13.0/20.2)	
	5.2	Lifting Speed	Loaded/Unloaded		mm/s (fpm)	470/500 (93/98)	430/450 (85/89)	350/375 (69/74)
	5.3	Lowering Speed	Loaded/Unloaded		mm/s (fpm)	400/500 (78.7/98.4)	400/500 (78.7/98.4)	400/500 (78.7/98.4)
	5.6	Max. Drawbar Pull	Loaded		kN (lb)	105 (23,800)	103 (23,300)	101 (22,700)
	5.8	Max. Gradeability	Loaded 1.5km/h, 3min rating		%	38	32	27
	5.10	Service Brake	Operation/Control			Foot/Hydraulic, Powered	Foot/Hydraulic, Powered	Foot/Hydraulic, Powered
	5.11	Parking Brake	Operation/Control			Hand/Mechanical	Hand/Mechanical	Hand/Mechanical
	5.12	Steering	Type			Hydraulic Power Steering	Hydraulic Power Steering	Hydraulic Power Steering
	6.4	Battery	Voltage/Capacity at 5-hour rating		V/Ah	24/80	24/80	24/80
	Drive	7.1	Maker/Model			Komatsu SAA6D107E-1	Komatsu SAA6D107E-1	Komatsu SAA6D107E-1
		7.2	Rated Output, SAE net		kW (HP)	122 (164)	122 (164)	122 (164)
7.3		Rated Speed		min ⁻¹	2200	2200	2200	
7.3.1		Max Torque, SAE net		N-m (lbf·ft)@min ⁻¹	575 (424)@1600	575 (424)@1600	575 (424)@1600	
7.4		No. of Cylinder/Displacement		cm ³ (cu.in)	6/6690 (408)	6/6690 (408)	6/6690 (408)	
Others	7.6	Fuel Tank Capacity		Ltr (US gal)	260 (68.7)	260 (68.7)	280 (74.0)	
	8.2	Relief Pressure for Attachment		bar (psi)	215 (3,118)	215 (3,118)	215 (3,118)	
	8.2.1	Hydraulic Tank Capacity		Ltr (US gal)	180 (48)	180 (48)	210 (55)	
	8.6	Clutch			Torque Converter	Torque Converter	Torque Converter	

Specifications are subject to change without notice.

The performance values indicated herein represent nominal values obtained under typical operating conditions.

Standard Equipment

Automatic "autoshift" torqueflow transmission
 Wet disc brake system
 KOPS Komatsu Operator Presence Sensing system
 UL Specification
 Headlights
 Turn signal lamps
 Charge warning lamps
 Safety checker
 Hourmeter
 Fuel gauge
 Torque converter oil temperature gauge
 Water temperature gauge
 Neutral safety switch
 Brake oil pressure warning buzzer
 Torque converter oil cooler
 Tilttable steering column
 Full suspension seat - vinyl
 Horn
 Overhead guard
 Drawbar pin
 Cyclonic air cleaner
 Notch-release parking brake

FD150ET-8	FD160ET-8		Characteristics
Diesel	Diesel	1.3	
Sitting	Sitting	1.4	
15000 (33,000)	16000 (35,000)	1.5	
600 (24)	600 (24)	1.6	
750 (29.5)	750 (29.5)	1.8	
3100 (122.0)	3100 (122.0)	1.9	
16570 (36,530)	17200 (37,920)	2.1	
28740 (63,360)	30140 (66,450)	2.2	
2830 (6,240)	3060 (6,750)	2.2.1	
7210 (15,900)	7170 (15,810)	2.3	
9360 (20,640)	10030 (22,110)	2.3.2	
Pneumatic	Pneumatic	3.1	
11.00-20-16PR (I)	12.00-20-16PR (I)	3.2	
11.00-20-16PR (I)	12.00-20-16PR (I)	3.3	
4x/2	4x/2	3.5	
1770 (69.7)	1770 (69.7)	3.6	
1890 (74.4)	1870 (73.6)	3.7	
6/12	6/12	4.1	
3270 (128.7)	3290 (129.5)	4.2	
0 (0.0)	0 (0.0)	4.3	
3000 (118)	3000 (118)	4.4	
4780 (188.2)	4800 (189.0)	4.5	
2810 (110.6)	2830 (111.4)	4.7	
5920 (233)	6020 (237)	4.19	
4700 (185)	4800 (189)	4.20	
2410 (94.9)	2480 (97.6)	4.21	
85x190x1220 (3.3x7.5x48.0)	85x210x1220 (3.3x8.3x48.0)	4.22	
Pin Mount	Pin Mount	4.23	
2200 (86.6)	2200 (86.6)	4.24	
250 (9.8)	270 (10.6)	4.31	
350 (13.8)	370 (14.6)	4.32	
6520 (256.7)	6670 (262.6)	4.33	
4350 (171.3)	4500 (177.2)	4.35	
9/19.5/27.5 (5.6/12.1/17.1)	9.5/20/28 (5.9/12.4/17.4)	5.1	
9.5/21/32 (5.9/13.0/20.2)	10/21.5/32 (6.2/13.4/20.5)	5.1.1	
325/350 (64/69)	320/345 (63/68)	5.2	
400/400 (79/79)	400/400 (79/79)	5.3	
94 (21,350)	94 (21,170)	5.6	
23	22	5.8	
Foot/Hydraulic, Powered	Foot/Hydraulic, Powered	5.10	
Hand/Mechanical	Hand/Mechanical	5.11	
Hydraulic Power Steering	Hydraulic Power Steering	5.12	
24/80	24/80	6.4	
Komatsu SAA6D107E-1	Komatsu SAA6D107E-1	7.1	
122 (164)	122 (164)	7.2	
2200	2200	7.3	
575 (424)@1600	575 (424)@1600	7.3.1	
6/6690 (408)	6/6690 (408)	7.4	
280 (74.0)	280 (74.0)	7.6	
215 (3,118)	215 (3,118)	8.2	
210 (55)	210 (55)	8.2.1	
Torque Converter	Torque Converter	8.6	



Full-open steps

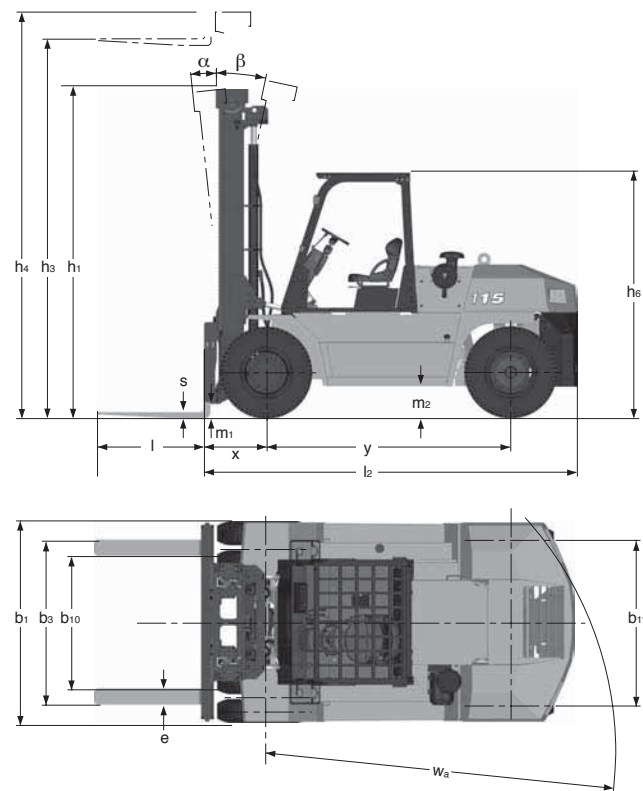


Notch-release parking brake



Head guard with front/rear gutters

Dimensional Drawing





DEPENDABLE DEALER NETWORK

Komatsu Forklift has over 195 dealer locations throughout the United States, Canada, Mexico, the Caribbean, and Central and South America. Komatsu dealers are staffed with dedicated teams of professionals who are trained to meet your forklift needs.



THE KOMATSU HERITAGE

As part of the Komatsu family, we have a proud heritage of excellence and superiority in equipment design and manufacturing. Since 1921 Komatsu has been a global leader in the construction and mining equipment industry. And since 1945, we have built upon that heritage by producing innovative, high-quality, durable forklifts to meet and exceed the needs of our customers. Today our ISO 9001-certified plant in Covington, Georgia builds forklifts for North and South America, Canada, Mexico, and Latin America.



STRONG CUSTOMER SATISFACTION

Komatsu Forklift has a strong corporate commitment to produce, deliver and support quality products, and we have always made customer satisfaction our top priority. We will work to the best of our ability to help you maximize your operation's productivity while minimizing costs.

QUALITY PRODUCTS & SERVICES

Komatsu Forklift offers an expanding product line of over 120 electric and internal combustion engine forklift models with capacities from 2,000 to 35,000 pounds. We back them with a complete warranty program, superior service, and genuine OEM parts.

CONTACT YOUR DEALER TODAY

Your nearby Komatsu Forklift dealer is ready to assist you. Ask about financing and leasing programs that can be tailored to your business plan. Forklifts for your specific applications and workplace are waiting for you now.

KOMATSU®

KOMATSU FORKLIFT U.S.A., INC.
 14481 Lochridge Boulevard, Covington, GA 30014
 TELEPHONE: 770.787.5100 | FAX: 770.385.6003

1.800.821.9365
 www.kfusa.com



YOUR AUTHORIZED DEALER OF KOMATSU FORKLIFTS

© Copyright Komatsu Forklift U.S.A., Inc. 2008. All rights reserved. Komatsu, The Ability Bolt, EZview, EZlift, The Forklift With Proven Ability, Komfort Zone and the Clean Air Technology logo are all trademarks of Komatsu Forklift U.S.A., Inc. and the Komatsu Group Companies. Komatsu Forklift U.S.A., Inc. products and specifications are subject to continuous improvement and change without prior notice. The illustrations do not necessarily show the standard version and features of the equipment. The actual operating conditions, including equipment configuration, may affect visibility, performance and/or specifications and may suggest the use of certain options, attachments or special operating procedures. Please consult your authorized Komatsu dealer for specifications and availability. Komatsu owns and operates facilities in Covington, GA. Only those products made in Komatsu's Georgia plant are built under ISO 9001 guidelines. Printed in the U.S.A.