

# TELESCOPIC HANDLERS

# GEHL®

RS SERIES





**IN 1859, AN AGRICULTURAL IMPLEMENT COMPANY, HOUSED IN A BLACKSMITH SHOP, WAS STARTED IN WEST BEND, WISCONSIN. FROM THESE HUMBLE BEGINNINGS, THE GEHL BRAND HAS BECOME A MAJOR FORCE IN THE COMPACT EQUIPMENT INDUSTRY WORLDWIDE.**

Since the beginning, Gehl has focused on providing solutions to our customer's needs by building quality, reliable products. With a long history of reliability and innovation, Gehl is responsive to the equipment and service needs of our customers.

With modern compact equipment manufacturing facilities in Yankton and Madison, South Dakota, and a state-of-the-art research and design facility in West Bend, Wisconsin, Gehl ensures that they are equipped with the finest in technology, tools and materials. And our top corps of engineers are skilled in designing and enhancing high-quality machines to fit the specific needs of our customers. Our equipment is modern in design and performance, but not too complicated to operate or service.

And when you purchase a piece of Gehl equipment, you have an entire organization behind you and your business. When you need support, whether it be financing, parts or service, know that Gehl will be there to provide an exceptional experience. We continually strive to preserve the level of personalized attention that Gehl began with in 1859.

REACHING



RS5-19



RS6-34



RS6-42 GEN:2



RS8-42 GEN:2



RS8-44 GEN:2



RS10-44 GEN:2



RS10-55 GEN:2



RS12-42 GEN:2

NEW HEIGHTS

**JOBSITES DEMAND SUPERIOR PERFORMANCE – AND THAT'S WHAT THE RS SERIES TELESCOPIC HANDLERS PROVIDE.**

Lifting up to 12,000 lbs. (5444 kg) (RS12-42 GEN:2) with lift heights up to 55'1" (16.8 m) (RS10-55 GEN:2), these machines provide the extra working capacity without sacrificing the comfort and durability expected in the RS Series telescopic handlers.



● POWER and ● PERFORMANCE

## THE SUPERIOR STRENGTH OF GEHL

● **PROVEN RELIABILITY = PROFITABILITY**

Gehl RS Series Telescopic Handlers are designed to meet the growing needs of contractors, builders and rental houses. These machines are continuously sought after for their unmatched performance, reliability, ease of operation, and comfort. High quality components are at the core of the RS Series – reducing downtime and increasing your bottom line.

● **SELF LEVELING FORKS**

This standard feature automatically levels the forks or attachment as the boom is raised, eliminating the need for manual adjustments.

● **TIER IV-CERTIFIED ENGINES**

RS5-19	68 hp (50.7 kW)
RS6-34	74 hp (55 kW)
RS6-42 GEN:2 - RS12-42 GEN:2	120 hp (89 kW)

● **FOUR-PLATE BOX SECTION BOOMS**

Durable design can easily handle the 5,500 to 12,000 lbs. (2495 to 5444 kg) rated loads of the RS Series.

● **EXCEPTIONAL VISIBILITY**

Large, open concept frame design with high-mounted boom allows the operator to have views from all sides of the operator station.

● **MAXIMUM LIFT HEIGHTS**

RS5-19	19'1" (5.8 m)
RS6-34	34'3" (10.4 m)
RS6-42 GEN:2	42'0" (12.8 m)
RS8-42 GEN:2	42'0" (12.8 m)
RS8-44 GEN:2	44'0" (13.4 m)
RS10-44 GEN:2	44'0" (13.4 m)
RS10-55 GEN:2	55'1" (16.8 m)
RS12-42 GEN:2	42'4" (12.9 m)

● **RATED OPERATING CAPACITIES**

RS5-19	5,500 lbs. (2495 kg)
RS6-34	6,000 lbs. (2722 kg)
RS6-42 GEN:2	6,600 lbs. (2994 kg)
RS8-42 GEN:2	8,000 lbs. (3629 kg)
RS8-44 GEN:2	8,000 lbs. (3629 kg)
RS10-44 GEN:2	10,000 lbs. (4536 kg)
RS10-55 GEN:2	10,000 lbs. (4536 kg)
RS12-42 GEN:2	12,000 lbs. (5444 kg)



● **OUTRIGGERS**

Increase stability and lift capacity on demand when lifting to full height.

*Optional on RS6-42 GEN:2, RS8-42 GEN:2, RS8-44 GEN:2, RS10-44 GEN:2, and RS12-42 GEN:2; standard on the RS10-55 GEN:2.*

● **MULTIPLE TIRE OPTIONS**

- ▶ Air-filled
- ▶ Foam-filled
- ▶ Solid Rubber
- ▶ Turf
- ▶ Rock Tread - Air / Foam

*Turf tires available only on RS5-19  
Rock tread tires not available for RS5-19 & RS6-34*

● **REAR AXLE STABILIZATION**

Stabilizer cylinder locks the rear axle to improve stability whenever the boom is raised 60 degrees or more, or the parking brake is applied.

*Standard on RS6-42 GEN:2, RS8-42 GEN:2, RS8-44 GEN:2, RS10-44 GEN:2, RS10-55 GEN:2 and RS12-42 GEN:2.*



"We don't even blink an eye at loading a semi and hauling our Gehl equipment out of state.

It's one of the reasons why it is so easy to own Gehl equipment – **dependability.**"

**Steve Schmitz**  
C.D. Smith  
V.P. Field Operations

● COMFORT and ● SAFETY



● **PREMIUM SEAT**

Standard deluxe, high-back mechanical suspension seat or an optional adjustable suspension seat for increased operator comfort. Retractable seatbelt included.

● **ADJUSTABLE ARMREST**

● **SPACIOUS CAB**

With ergonomics in mind, the large operator station brings ample elbow room for boom control accuracy and ease.



● **VISIBILITY**

Low-profile boom and open-concept frame design provide a 360 degree field-of-view to all work areas for increased precision and safety.

● **TRI-FUNCTION JOYSTICK OPTION**

Controls attachment tilt, auxiliary hydraulics and boom functions with an optional single joystick and speed control knobs.

*Not available on RS5-19*

● **ALL-WEATHER CAB**

Optional, sealed cab enclosure with heat allows you to work in constant comfort. Add air-conditioning for an upgraded operating climate.

● OPERATOR STATION COMFORT FEATURES



**WITHIN REACH**

Lights, parking brake, and all other controls conveniently near the adjustable armrest.



**POWER PORT**

Standard 12-volt accessory plug charges electronics while you work.



**GLASS WINDOWS**

Rear and right-hand side glass are standard equipment to reduce engine noise to the cab.



**DIGITAL DISPLAY**

This information center shows real time fluid levels, engine RPM, machine hours, engine diagnostic codes, warning indicators and much more.



**LOCKABLE STORAGE**

Located under the seat, this spacious, lockable storage area holds items you need throughout the day.



**HEAT & AIR CONDITIONING**

Heat is standard on all cab models. Upgrade to air conditioning for additional comfort.

● THREE STEERING MODES



**2-WHEEL**



**4-WHEEL**



**CRAB**

● PRODUCTIVITY and ● SAFETY



● EXCELLENT 360 DEGREE VISIBILITY

FRONT



LEFT SIDE



REAR



RIGHT SIDE

**EXPANSIVE VIEWS FROM ALL SIDES FOR SAFE AND PRECISE OPERATION.**

Excellent visibility to the front, sides and rear of the machine allow for precise placement of loads and reduced jobsite incidents. A high-mounted boom maintains an excellent vantage point to the job at hand.

## INCREASED PRODUCTIVITY ON THE JOBSITE



● **BOOM TIP LIFT HOOK**

This option provides a secure lifting point for transporting suspended loads without the use of an additional attachment.

*Not available on RS5-19 or RS6-34*



● **SERVICE MADE EASY**

Accessible, tool-free panels allow for quick and easy maintenance, drastically reducing downtime on the job.

● **PERSONNEL WORK PLATFORM (PWP) SYSTEM**

The optional Gehl PWP System allows the safe and efficient use of an ANSI/ITSDF B56.6 compliant work platform.

The PWP System makes every job almost as easy as working at ground level. When the system is engaged the transmission is temporarily disconnected, the rear axle stabilizer is engaged, the frame leveling speed is reduced, and the parking brake is applied. A remote shut-off is located on the platform. This increases safety and allows for precise positioning.

*Not available on RS5-19 or RS6-34*



● **REMOTE BOOM CONTROL (RBC) SYSTEM**

With the RBC System option, a single operator can control boom and engine functions from outside the cab. When placing loads, an operator can leave the cab to control boom functions from a location that has better visibility – even from within a building.

The RBC System is compatible with any ANSI/ITSDF B56.6 compliant work platform and includes all the safety features of the PWP System.

*Not available on RS5-19*



## ● ATTACHMENTS

### CRAVE VERSATILITY? GEHL RS SERIES TELESCOPIC HANDLERS ARE THE PERFECT SOLUTION.

Get the versatility you need to complete the job with a wide variety of attachments. With the RS Series Telescopic Handlers, your operation can do anything from material handling to lifting workers.

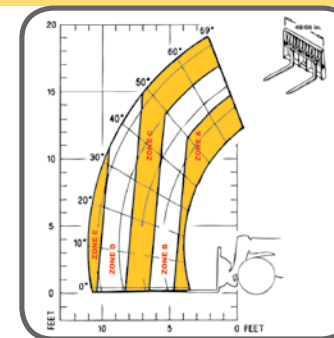


### DYNATTACH®

The Dynattach® Quick-Attach system allows quick attachment changes with unsurpassed ease. The operator leaves the seat only to disengage the attachment.

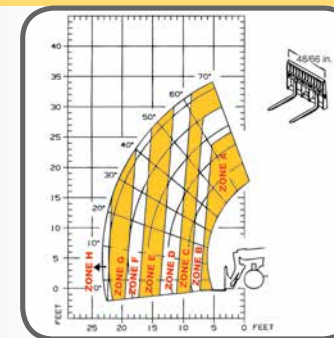
BEST SELLERS LIST

	RS5-19	RS6-34	RS6-42 GEN:2	RS8-42 GEN:2	RS8-44 GEN:2	RS10-44 GEN:2	RS10-55 GEN:2	RS12-42 GEN:2
<b>BUCKETS</b>								
Light Material Bucket - 96 in. (2438 mm) Wide, 1.3 cu. yd. (.99 cu. m.)		•	•	•	•	•	•	•
Light Material Bucket - 71 in. (1803 mm) Wide, 1.0 cu. yd. (.76 cu. m.)	•							
<b>CARRIAGES</b>								
Carriage, Masonry - 48 in. (1219 mm) Wide w/ 2 in. (50 mm) Pin / Rated 6,000 lbs. (2,721 kg)	•	•						
Carriage, Masonry - 48 in. (1219 mm) Wide w/ 2 in. (50 mm) Pin / Rated 10,000 lbs. (4,535 kg)			•	•	•	•	•	•
Carriage, Masonry - 48 in. (1219 mm) Wide w/ 2.5 in. (63 mm) Pin / Rated 12,000 lbs. (5,443 kg)								•
Carriage, Rotating * - 48 in. (1219 mm) Wide w/ 2 in. (50 mm) Pin / Rated 6,000 lbs. (2,721 kg)	•	•						
Carriage, Rotating * - 48 in. (1219 mm) Wide w/ 2 in. (50 mm) Pin / Rated 10,000 lbs. (4,535 kg)			•	•	•	•	•	•
Carriage, Rotating * - 48 in. (1219 mm) Wide w/ 2.5 in. (63 mm) Pin / Rated 12,000 lbs. (5,443 kg)								•
Carriage, Framers - 66 in. (1676 mm) Wide w/ 2 in. (50 mm) Pin / Rated 6,000 lbs. (2,721 kg)	•	•						
Carriage, Framers - 66 in. (1676 mm) Wide w/ 2 in. (50 mm) Pin / Rated 10,000 lbs. (4,535 kg)			•	•	•	•	•	•
Carriage, Framers - 66 in. (1676 mm) Wide w/ 2.5 in. (63 mm) Pin / Rated 12,000 lbs. (5,443 kg)								•
Carriage, Framers - 72 in. (1828 mm) Wide w/ 2 in. (50 mm) Pin / Rated 10,000 lbs. (4,535 kg)			•	•	•	•	•	•
<b>FORKS</b>								
Pallet Forks ** - 2 in. x 5 in. x 48 in. (50 mm x 127 mm x 1219 mm) for 2 in. (50 mm) Pin / Rated 10,500 lbs. (4,762 kg)		•	•	•	•	•	•	•
Pallet Forks - 2 in. x 4 in. x 48 in. (50 mm x 101 mm x 1219 mm) for 2 in. (50 mm) Pin / Rated 8,400 lbs. (3,810 kg)	•	•	•	•	•	•	•	•
<b>TRUSS BOOMS</b>								
Truss Boom / 12 ft. (3.6 m) / Rated 2,000 lbs. (907 kg)			•					
Truss Boom / 15 ft. (4.5 m) / Rated 2,000 lbs. (907 kg)				•	•	•	•	•
<b>PLATFORMS</b>								
Swing Platform - Requires PWP or Remote Boom Control System Dimensions - 4.0 ft. (1.2 m) Wide x 8.0 ft. (2.4 m) Long w/ 42 in. (1066 mm) High Guard Rail & Midrail (Complies with OSHA Regulations 1910.67(c)(2)(v) and 1926.453(b)(2)(v) and ANSI B56.6)			•	•	•	•	•	•
Personnel Work Platform - Requires PWP or Remote Boom Control System Dimensions - 4.0 ft. (1.2 m) Wide x 9.5 ft. (2.8 m) Long w/ 44 in. (1117 mm) High Guard Rail & Midrail (Complies with OSHA Regulations 1910.67(c)(2)(v) and 1926.453(b)(2)(v) and ANSI B56.6)	•	•	•	•	•	•	•	•



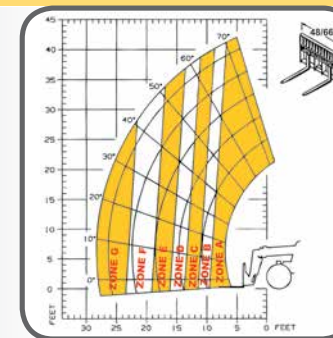
RS5-19

- A 5,500 lbs. (2495 kg)
- B 4,000 lbs. (1815 kg)
- C 3,000 lbs. (1361 kg)
- D 2,000 lbs. (908 kg)
- E 1,850 lbs. (840 kg)



RS6-34

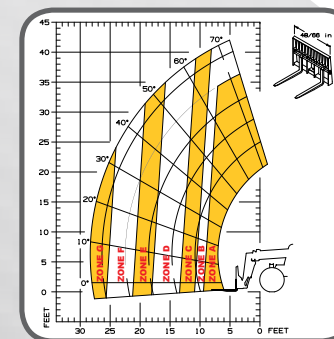
- A 6,000 lbs. (2722 kg)
- B 5,000 lbs. (2268 kg)
- C 4,000 lbs. (1814 kg)
- D 3,000 lbs. (1361 kg)
- E 2,000 lbs. (907 kg)
- F 1,500 lbs. (680 kg)
- G 1,000 lbs. (454 kg)
- H 900 lbs. (408 kg)



RS6-42 GEN:2

- A 6,600/6,600 lbs. (2994/2994 kg)
- B 6,000/6,600 lbs. (2722/2994 kg)
- C 5,000/6,000 lbs. (2268/2722 kg)
- D 4,000/4,000 lbs. (1814/1814 kg)
- E 3,000/4,000 lbs. (1361/1814 kg)
- F 2,000/4,000 lbs. (907/1814 kg)
- G 1,000/3,000 lbs. (454/1361 kg)

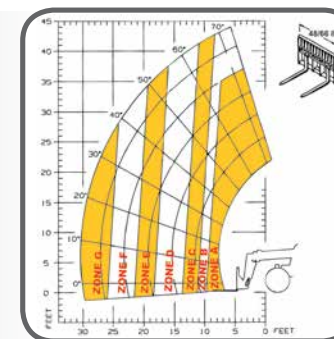
outriggers up / optional outriggers down



RS8-42 GEN:2

- A 8,000/8,000 lbs. (3629/3629 kg)
- B 7,000/8,000 lbs. (3175/3629 kg)
- C 6,000/8,000 lbs. (2722/3629 kg)
- D 4,000/6,000 lbs. (1814/2722 kg)
- E 3,000/4,000 lbs. (1361/1814 kg)
- F 2,000/4,000 lbs. (907/1814 kg)
- G 1,000/3,000 lbs. (454/1361 kg)

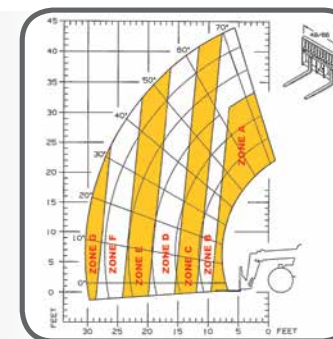
outriggers up / optional outriggers down



RS8-44 GEN:2

- A 8,000/8,000 lbs. (3629/3629 kg)
- B 7,000/8,000 lbs. (3175/3629 kg)
- C 6,000/8,000 lbs. (2722/3629 kg)
- D 4,000/6,000 lbs. (1814/2722 kg)
- E 3,000/4,000 lbs. (1361/1814 kg)
- F 2,000/4,000 lbs. (907/1814 kg)
- G 1,000/3,000 lbs. (454/1361 kg)

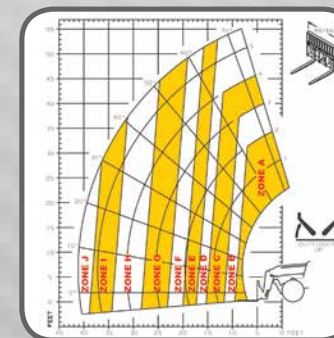
outriggers up / optional outriggers down



RS10-44 GEN:2

- A 10,000/10,000 lbs. (4536/4536 kg)
- B 8,000/8,000 lbs. (3629/3629 kg)
- C 6,000/8,000 lbs. (2722/3629 kg)
- D 4,000/6,000 lbs. (1814/2722 kg)
- E 3,000/6,000 lbs. (1361/2722 kg)
- F 2,000/4,000 lbs. (907/1814 kg)
- G 1,500/3,000 lbs. (680/1361 kg)

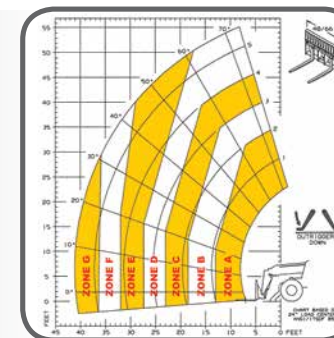
outriggers up / optional outriggers down



RS10-55 GEN:2

outriggers up

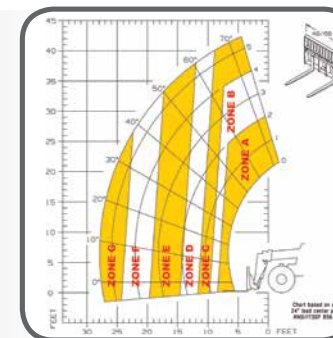
- A 10,000 lbs. (4536 kg)
- B 8,000 lbs. (3629 kg)
- C 6,000 lbs. (2722 kg)
- D 5,000 lbs. (2268 kg)
- E 4,000 lbs. (1814 kg)
- F 3,000 lbs. (1361 kg)
- G 2,000 lbs. (907 kg)
- H 1,000 lbs. (454 kg)
- I 500 lbs. (227 kg)
- J 250 lbs. (113 kg)



RS10-55 GEN:2

outriggers down

- A 10,000 lbs. (4536 kg)
- B 8,000 lbs. (3629 kg)
- C 6,000 lbs. (2722 kg)
- D 5,000 lbs. (2268 kg)
- E 4,000 lbs. (1814 kg)
- F 3,000 lbs. (1361 kg)
- G 2,000 lbs. (907 kg)



RS12-42 GEN:2

- A 12,000/12,000 lbs. (5444/5444 kg)
- B 10,000/10,000 lbs. (4536/4536 kg)
- C 8,000/8,000 lbs. (3629/3629 kg)
- D 6,000/8,000 lbs. (2722/3629 kg)
- E 4,000/6,000 lbs. (1814/2722 kg)
- F 3,000/5,000 lbs. (1361/2268 kg)
- G 2,000/4,000 lbs. (907/1814 kg)

outriggers up / optional outriggers down

\* Auxiliary hydraulics required  
\*\* On the RS12-42 GEN:2, forks need to be used in conjunction with the 90° swing carriage.

# SPECIFICATIONS

RS SERIES telescopic handlers

		RS5-19	RS6-34	RS6-42 GEN:2	RS8-42 GEN:2	RS8-44 GEN:2	RS10-44 GEN:2	RS10-55 GEN:2	RS12-42 GEN:2	
CAPACITIES	Lift Capacity (kg)	5,500 lbs. (2495)	6,000 lbs. (2722)	6,600 lbs. (2994)	8,000 lbs. (3629)	8,000 lbs. (3629)	10,000 lbs. (4536)	10,000 lbs. (4536)	12,000 lbs. (5444)	
	Maximum Lift Height (m)	19'1" (5.8)	34'3" (10.4)	42'0" (12.8)	42'0" (12.8)	44'0" (13.4)	44'0" (13.4)	55'1" (16.8)	42'4" (12.9)	
	Capacity at Maximum Lift Height (kg)	3,000 lbs. (1361)	4,000 lbs. (1815)	6,600 lbs. (2994)	7,000 lbs. (3176)	7,000 lbs. (3176)	8,000 lbs. (3629)	5,000* lbs. (2268)	10,000 lbs. (4536)	
	Maximum Forward Reach (m)	11'0" (3.4)	23'3" (7.0)	28'3" (8.6)	28'3" (8.6)	30'5" (9.3)	30'5" (9.3)	41'2" (12.6)	27'11" (8.5)	
	Capacity at Max. Forward Reach (kg)	1,850 lbs. (840)	900 lbs. (409)	1,000 lbs. (454)	1,000 lbs. (454)	1,000 lbs. (454)	1,500 lbs. (687)	2,000 lbs. (908)	2,000 lbs. (908)	
	Max. Reach Below Grade (mm)	0" (0)	24" (610)	14" (356)	14" (356)	16" (406)	16" (406)	29" (737)	14" (356)	
ENGINE	Manufacturer	Yanmar	Deutz	Cummins	Cummins	Cummins	Cummins	Cummins	Cummins	
	Power (kW)	69 hp (50.1)	74 hp (55)	120 hp (89)	120 hp (89)	120 hp (89)	120 hp (89)	120 hp (89)	120 hp (89)	
	Torque (Nm)	173 ft.-lbs. (235)	244 ft.-lbs. (330)	360 ft.-lbs. (488)	360 ft.-lbs. (488)	360 ft.-lbs. (488)	360 ft.-lbs. (488)	360 ft.-lbs. (488)	360 ft.-lbs. (488)	
	Aspiration	Natural	Turbocharged	Turbocharged	Turbocharged	Turbocharged	Turbocharged	Turbocharged	Turbocharged	
	Model	4TNV98C Tier IV	TD 3.6 Tier IV	QSF 3.8 Tier IV	QSF 3.8 Tier IV	QSF 3.8 Tier IV	QSF 3.8 Tier IV	QSF 3.8 Tier IV	QSF 3.8 Tier IV	
	Rated Speed	2500 rpm	2300 rpm	2500 rpm	2500 rpm	2500 rpm	2500 rpm	2500 rpm	2500 rpm	
COMPONENTS	Transmission	Rexroth 2-speed	Dana 3-speed Powershift	Dana 3-speed Powershift	Dana 3-speed Powershift	Dana 3-speed Powershift	Dana 4-speed Powershift	Dana 4-speed Powershift	Dana 4-speed Powershift	
	Maximum Travel Speed (km/hr)	15 mph (24)	20.2 mph (32.5)	19.6 mph (31.5)	19.6 mph (31.5)	19.6 mph (31.5)	20.1 mph (32.3)	20.1 mph (32.3)	20.1 mph (32.3)	
	Selective Steering	4-wheel 2-wheel Crab	4-wheel 2-wheel Crab	4-wheel 2-wheel Crab	4-wheel 2-wheel Crab	4-wheel 2-wheel Crab	4-wheel 2-wheel Crab	4-wheel 2-wheel Crab	4-wheel 2-wheel Crab	
	Hydraulically Actuated Internal Wet-Disc Brakes	2-Wheel	4-Wheel							
	Parking Brake	Spring-Applied, Hydraulic Release (SAHR) on Front Axle								
	Axle Manufacturer	Dana								
HYDRAULIC SYSTEM	Pump Type	Gear								
	Pump Flow (L/min)	20 gpm (76)	29 gpm (110)	41.5 gpm (157)	41.5 gpm (157)	41.5 gpm (157)	41.5 gpm (157)	41.5 gpm (157)	41.5 gpm (157)	
	System Pressure (bar)	3,350 psi (231)	3,000 psi (207)	3,000 psi (207)	3,000 psi (207)	3,000 psi (207)	3,000 psi (207)	3,000 psi (207)	3,000 psi (207)	
	Hydraulic Tank Capacity (L)	18 gal. (68)	29 gal. (110)	31 gal. (117)	31 gal. (117)	31 gal. (117)	31 gal. (117)	31 gal. (117)	31 gal. (117)	
GENERAL SPECIFICATIONS	Approximate Weight (kg)	10,000 lbs. (4536)	15,100 lbs. (6850)	22,000 lbs. (9979)	23,350 lbs. (10591)	23,500 lbs. (10659)	25,300 lbs. (11476)	27,800 lbs. (12610)	25,200 lbs. (11431)	
	Length – Less Forks (m)	12'4" (3.8)	16'0" (4.9)	19'1" (5.8)	19'1" (5.8)	19'10" (6.1)	20'0" (6.1)	21'0" (6.4)	19'3" (5.9)	
	Width (m)	5'11" (1.80)	7'10" (2.4)	8'0" (2.4)	8'0" (2.4)	8'0" (2.4)	8'3" (2.5)	8'3" (2.5)	8'3" (2.5)	
	Ground Clearance (mm)	14" (350)	14" (350)	16" (400)	16" (400)	16" (400)	18" (457)	18" (457)	18" (457)	
	Wheelbase (m)	7'6" (2.29)	9'2" (2.8)	10'0" (3.0)	10'0" (3.0)	10'0" (3.0)	10'4" (3.1)	10'4" (3.1)	10'4" (3.1)	
	Turning Radius (m)	11'0" (3.35)	12'6" (3.8)	13'8" (4.2)	13'8" (4.2)	13'8" (4.2)	13'11" (4.24)	13'11" (4.24)	13'11" (4.24)	
	Overall Height (m)	6'4" (1.93)	7'10" (2.4)	7'10" (2.4)	7'10" (2.4)	7'10" (2.4)	7'11" (2.41)	8'6" (2.6)	7'11" (2.41)	
	Frame Leveling	N/A	±10°	±10°	±10°	±10°	±10°	±10°	±10°	
	Fuel Capacity (L)	17 gal. (64)	29 gal. (110)	47 gal. (178)	47 gal. (178)	47 gal. (178)	47 gal. (178)	47 gal. (178)	47 gal. (178)	

\* with outriggers down

TIRES OPTIONS	RS5-19	RS6-34	RS6-42 GEN:2 / RS8-42 GEN:2 / RS8-44 GEN:2	RS10-44 GEN:2 / RS10-55 GEN:2 / RS12-42 GEN:2
	12.00 x 16.5 Bias/10 PR	15.00 x 19.5/12 PR	13.00 x 24/12 PR	14.00 x 12 PR
	12.00 x 16.5 Bias/10 PR Foam-Filled	15.00 x 19.5/12 PR Foam-Filled	13.00 x 24/12 PR Foam Filled	14.00 x 24/12 PR Foam-Filled
	12.00 x 16.5 Solid Rubber	15.00 x 19.5 Solid Rubber	13.00 x 24/12 PR Rock	14.00 x 24 Solid Rubber
	12.00 x 16.5/10 PR Turf		13.00 x 24 Solid Rubber	14.00 x 24 Rock



GEHL COMPACT EQUIPMENT

# GEHL®

West Bend, WI 53095 U.S.A.

Tel: 262-334-9461

Fax: 262-338-7517

For more information on Gehl equipment, visit

[gehl.com](http://gehl.com)

Gehl reminds users to read and understand the operator's manual before operating any equipment. Also, make sure all safety devices and shields are in place and functioning properly.

Gehl reserves the right to add improvements or make changes in features and specifications at any time without notice or obligation.